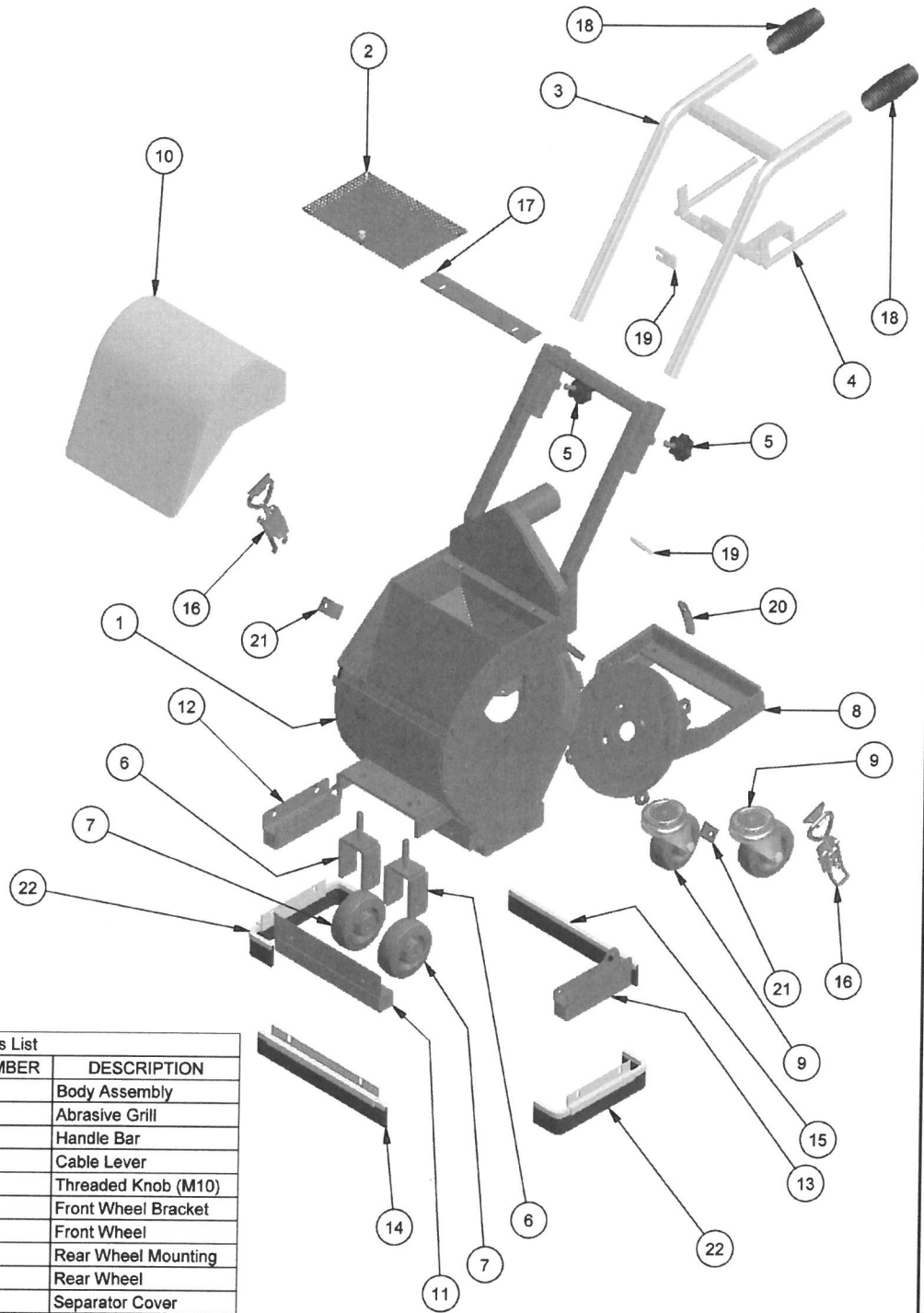





 Surface Preparation Equipment™	<p>SPE International Limited Honeyholes Lane, Dunholme Lincoln LN2 3SU, England Tel: +44 (0) 1673 860 709 or +44 (0) 1673 860 350 Fax: +44 (0) 1673 861 119 Web Site: http://www.spe-int.com E-mail: sales@spe-int.com</p>
	<p>SPE 9G</p>



Parts List			
ITEM	QTY	SPE PART NUMBER	DESCRIPTION
1	1	11015	Body Assembly
2	1	11007A	Abrasive Grill
3	1	11022	Handle Bar
4	1	11021	Cable Lever
5	2	C321	Threaded Knob (M10)
6	2	11020	Front Wheel Bracket
7	2	11019	Front Wheel
8	1	11018	Rear Wheel Mounting
9	2	11017	Rear Wheel
10	1	11001A	Separator Cover
11	1	11500	Front Magnet
12	1	11501	Right Hand Magnet
13	1	11502	Left Hand Magnet
14	1	11503	Front Brush
15	1	11504	Rear Brush
16	2	10064	Over-Centre Latch
17	1	11013	Adjustable Baffle
18	2	9104	Handlebar Grip
19	2	11023	Cable Clamp
20	1	11024	Liner Slot Cover
21	2	11301A	Cage Retaining Lug
22	2	11505	Side Brush

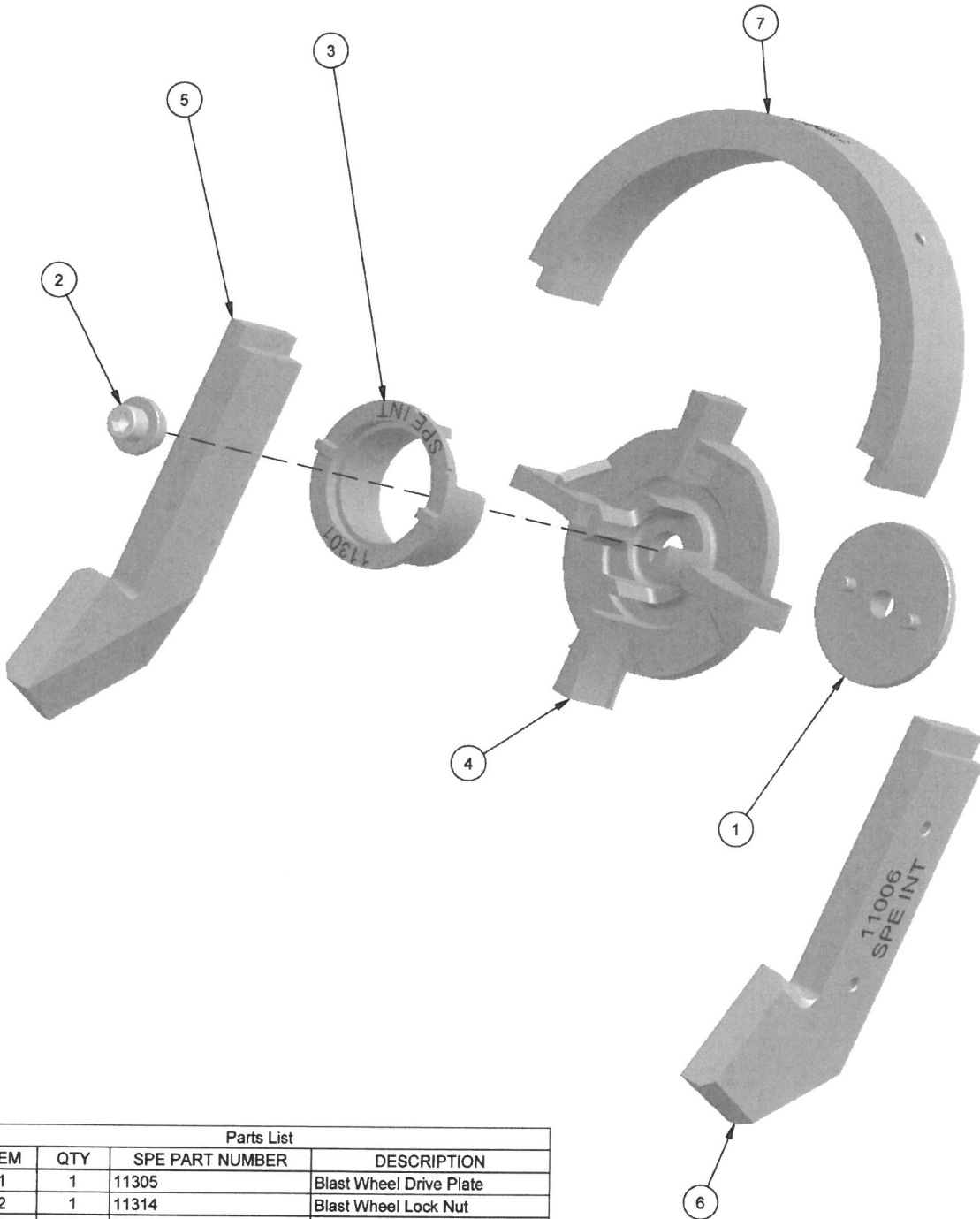
This drawing should not be used, copied, shown or handed to a third party without the prior written consent of SPE International Ltd.



SPE International Limited
 Honeyholes Lane, Dunholme
 Lincoln LN2 3SU, England
 Tel: +44 (0) 1673 860 709
 or +44 (0) 1673 860 330
 Fax: +44 (0) 1673 861 119
 Web Site: <http://www.spe-int.com>
 E-mail: sales@spe-int.com

**THIS DRAWING IS THE CONFIDENTIAL COPYRIGHT
 PROPERTY OF SPE INTERNATIONAL LIMITED**

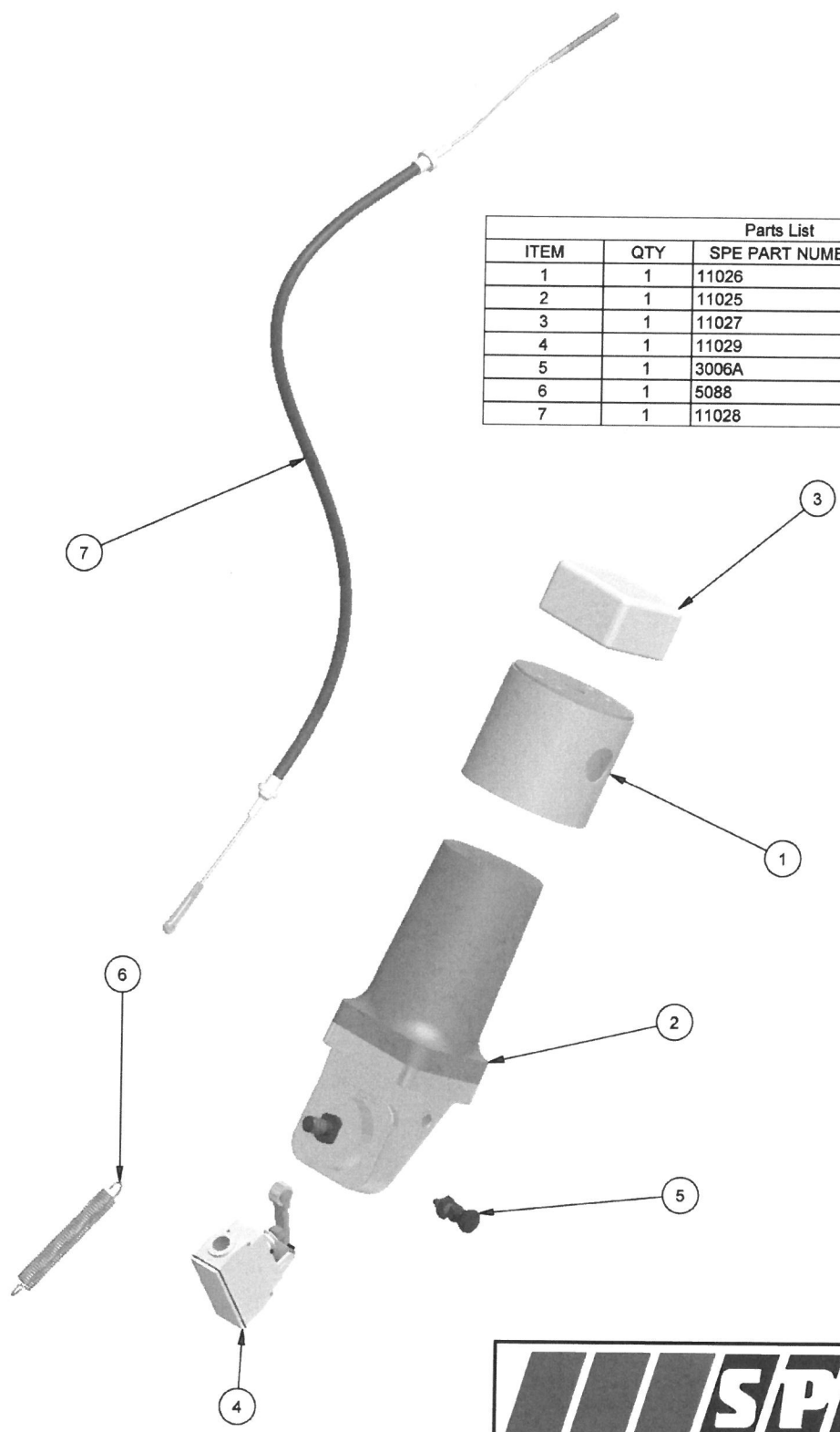
Drawn	TITLE	Body Components
D.G.A.		
Checked	Drawing No.	MACHINE
P.A.	SPE-9G_Bdy-01	SPE 9G-1



Parts List			
ITEM	QTY	SPE PART NUMBER	DESCRIPTION
1	1	11305	Blast Wheel Drive Plate
2	1	11314	Blast Wheel Lock Nut
3	1	11301	Blast Wheel Cage
4	1	11302	Blast Wheel Assembly
5	1	11005	Right Hand Side Liner
6	1	11006	Left Hand Side Liner
7	1	11004	Hood Liner

This drawing should not be used, copied, shown or handed to a third party without the prior written consent of SPE International Ltd.

		SPE International Limited Honeyholes Lane, Dunholme Lincoln, LN2 3SU, England Tel: +44 (0) 1673 860 709 or +44 (0) 1673 860 330 Fax: +44 (0) 1673 961 119 Web Site: http://www.spe-int.com E-mail: sales@spe-int.com	
		THIS DRAWING IS THE CONFIDENTIAL COPYRIGHT PROPERTY OF SPE INTERNATIONAL LIMITED	
Drawn	TITLE		Castings & Blasting Components
D.G.A.			
Checked	Drawing No.	MACHINE	
P.A.	SPE-9G_Bst-01	SPE 9G-1	



Parts List			
ITEM	QTY	SPE PART NUMBER	DESCRIPTION
1	1	11026	Motor Cover
2	1	11025	Blast Motor
3	1	11027	Terminal Box
4	1	11029	Micro-Switch
5	1	3006A	Locking Plunger
6	1	5088	Spring
7	1	11028	Control Cable

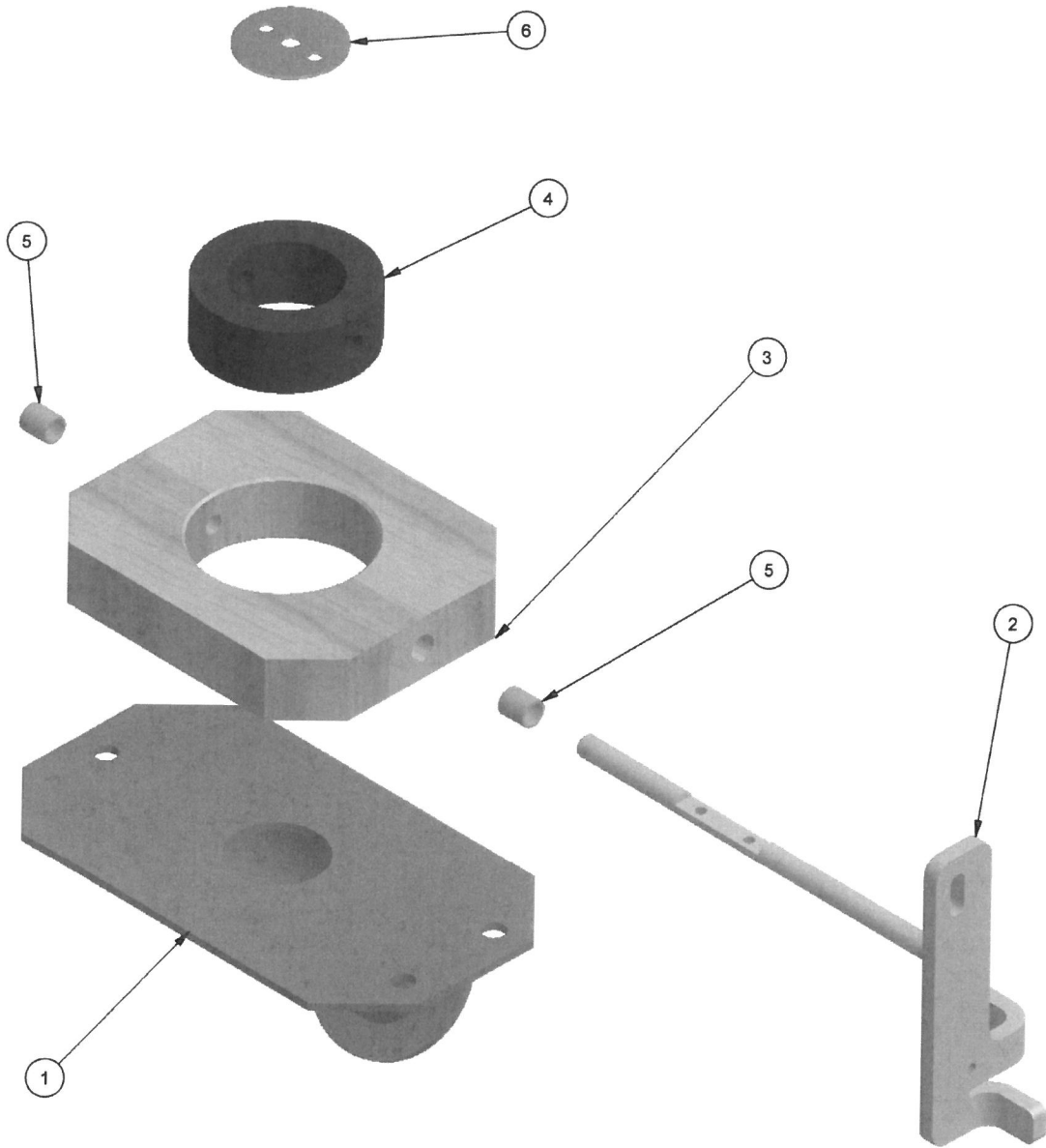
This drawing should not be used, copied, shown or handed to a third party without the prior written consent of SPE International Ltd.



SPE
Surface Preparation Equipment™


SPE International Limited
Honeyholes Lane, Dunholme
Lincoln, LN2 3SU, England
Tel: +44 (0) 1673 860 709
or +44 (0) 1673 860 330
Fax: +44 (0) 1673 861 119
Web Site: <http://www.spe-int.com>
E-mail: sales@spe-int.com

THIS DRAWING IS THE CONFIDENTIAL COPYRIGHT PROPERTY OF SPE INTERNATIONAL LIMITED			
Drawn	TITLE Power & Control Components		
D.G.A.			
Checked	Drawing No.	MACHINE	
P.A.	SPE-9G_PwC-01	SPE 9G-1	



Parts List			
ITEM	QTY	SPE PART NUMBER	DESCRIPTION
1	1	11002	Feed Spout
2	1	11030	Valve Block Spindle
3	1	11400	Valve Block
4	1	11401	Valve Block Liner
5	2	11403	Valve Block Oilite Bush
6	1	11405	Shot Valve Butterfly

This drawing should not be used, copied, shown or handed to a third party without the prior written consent of SPE International Ltd.

 Surface Preparation Equipment™		SPE International Limited Honeyholes Lane, Dunholme Lincoln, LN2 3SU, England Tel: +44 (0) 1673 960 709 or +44 (0) 1673 960 330 Fax: +44 (0) 1673 961 119 Web Site: http://www.spe-int.com E-mail: sales@spe-int.com	
		THIS DRAWING IS THE CONFIDENTIAL COPYRIGHT PROPERTY OF SPE INTERNATIONAL LIMITED	
Drawn	TITLE	Shot Valve Components	
D.G.A.			
Checked	Drawing No.	SPE-9G_ShV-01	MACHINE
P.A.			SPE 9G-1